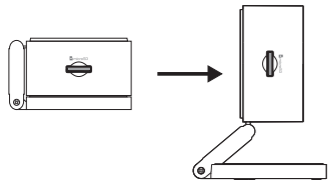
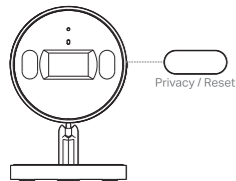


Before You Start

Position your camera's adjustable stand for setup.



If the camera lens is hidden, do not manually push the lens cap up to prevent scratches.



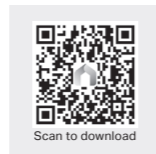
Note: After setup, you can press the Privacy/Reset button once to turn off Privacy Mode and the camera lens will appear.

01 / Set Up Your Camera

STEP 1

DOWNLOAD APP

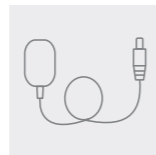
Get the **Tapo** app from the App Store or Google Play.



STEP 2

POWER UP

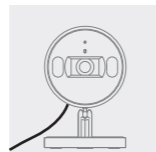
Plug in your camera and wait until the LED blinks red and blue.



STEP 3

SET UP

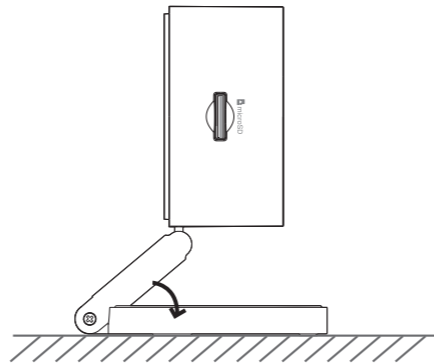
Tap the **+** button in the app and select your model. Follow the app instructions to complete setup.



02 / Install Your Camera

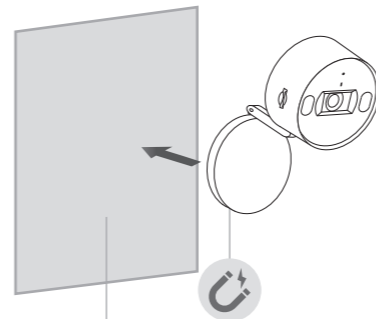
Option 1: Set on a table or shelf

1. Place the camera on your desired table or shelf.
2. Adjust the stand angle to the notch position in the base for more stability.



Option 2: Mount to metallic surfaces

The camera has a magnet in its base, allowing magnetic attachment to metallic surfaces.

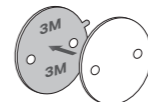


Metallic Surface

Option 3: Stick to a clean wall

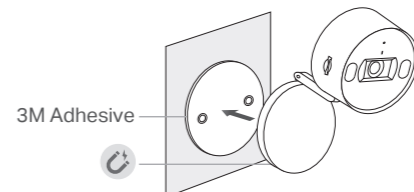
1. Attach the included adhesive to the back of the metal plate properly.

Note: The adhesive is for one-time use. Avoid re-using the adhesive to ensure its adhesion.



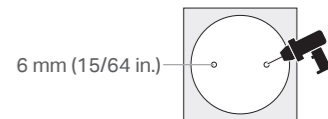
2. Wipe off the dust from the surface, stick the metal plate with the adhesive to the clean wall, and press it down for 15 seconds to ensure the plate is firmly attached. Then attach the camera to the plate.

Note: This is applicable with tile, glass, marble, metal, stainless steel, and hard wall surfaces.

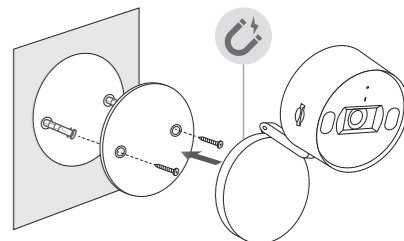


Option 4. Mount to the wall

1. Stick the mounting template to the desired mounting place. Drill two holes according to the template.



2. Insert two anchors into the holes and use the screws to affix the metal plate over the anchors. Then attach the camera to the plate.

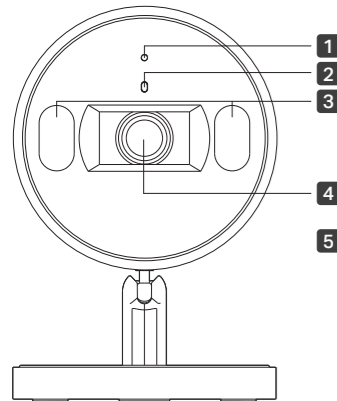


Quick Start Guide

AI Home Security Wi-Fi Camera

Appearance

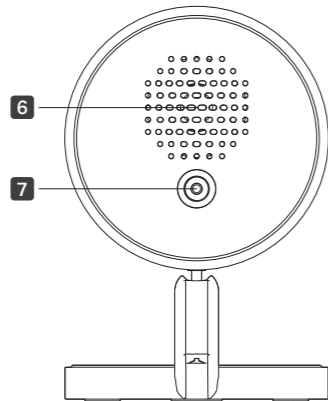
Front



- 1** Microphone
- 2** System LED
- 3** IR LEDs
- 4** Lens
- 5** Lens Cap

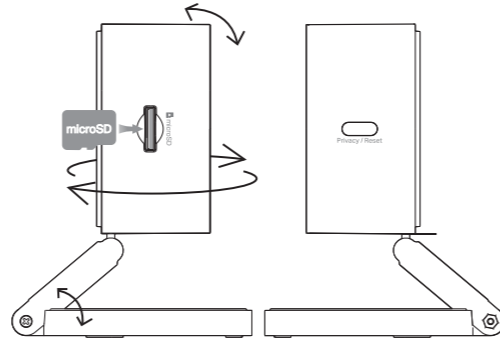
When Privacy Mode is on, the lens cap shuts to block the camera lens. Do not manually push the lens cap up to prevent scratches.

Back



- 6** Speaker
- 7** DC Power Connector

Side



microSD Card Slot

Insert a microSD card (not included) and initialize it on the Tapo app for local recording.

Adjust View

Tilt and rotate the camera and stand for your desired viewing angle.

Privacy / Reset Button

- Press once: Turn on/off Privacy Mode after setup.
- Press for 5s: Reset Wi-Fi settings only.
- Press for 10s: Reset to factory default settings.

System LED Indications

Solid red	Starting up, video recording or live streaming
Blinking red and blue	Ready for setup
Blinking blue quickly	Connecting to Wi-Fi
Blinking red slowly	Connected to Wi-Fi
Solid blue	Connected to the cloud
Blinking red quickly	Camera updating or camera resetting

- Keep the device away from water, fire, humidity or hot environments.
- Do not use damaged charger or USB cable to charge the device.
- Do not use any other chargers than those recommended.
- Do not use the device where wireless devices are not allowed.
- Adapter shall be installed near the equipment and shall be easily accessible.
- Use only power supplies which are provided by manufacturer and in the original packing of this product. If you have any questions, please don't hesitate to contact us.
- For indoor use only.
- Do not disassemble, repair or modify the product.
- Do not use the product if the casing has been broken. Danger of electric shock.
- Never touch the product with wet hands.
- Do not expose to heavy rain or any type of moisture.
- Do not place near automatically controlled devices such as fire alarms. Radio waves emitted from this product may cause such devices to malfunction resulting in an accident.

- Observe restrictions on using wireless products in fuel depots, chemical plants or when blasting operations are in progress.
- Do not use liquid to clean the product. Only use a dry cloth.
- Never put metal objects inside the product. If a metal object enters the product turn off the circuit breaker and contact an authorised electrician.
- This product is not intended to be used when providing medical care. Consult the manufacturer of any personal medical devices, such as pacemakers or hearing aids to determine if they are adequately shielded from external RF (radio frequency) energy.
- Do not use this product in health care facilities. Hospitals or health care facilities may be using equipment that could be sensitive to external RF energy.
- Do not use this product near water for example near a bath tub, wash bowl, kitchen sink or laundry tub, in a wet basement or near a swimming pool.
- The product should be kept free from excessive smoke, dust or high temperature and vibration.
- This product should not be exposed to direct sunlight
- Do not place heavy objects on top of the product.
- When you leave the product unused for a long time unplug the product from the power outlet.
- This product may interfere with other electronic products such as TV, radios, personal computers, phones or other wireless devices.
- Operating Temperature: 0°C ~ 40°C (32°F ~ 104°F)
- When mounting the camera, we recommend installing it no higher than 2 meters.

Please read and follow the above safety information when operating the device. We cannot guarantee that no accidents or damage will occur due to improper use of the device. Please use this product with care and operate at your own risk. TP-Link hereby declares that the device is in compliance with the essential requirements and other relevant provisions of directives 2014/53/EU, 2009/125/EC, 2011/65/EU and (EU)2015/863. The original EU declaration of conformity may be found at <https://www.tapo.com/support/ce> TP-Link hereby declares that the device is in compliance with the essential requirements and other relevant provisions of the Radio Equipment Regulations 2017. The original UK declaration of conformity may be found at <https://www.tapo.com/support/ukca/>



For technical support, user guides, FAQs, warranty, and more, please visit www.tapo.com/support/

